

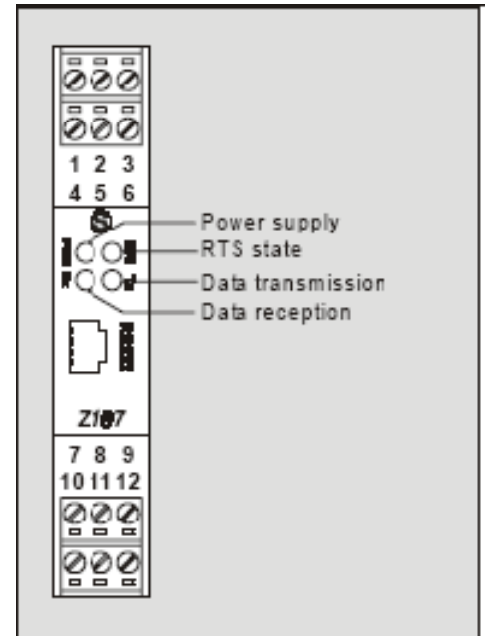
Z107 SERIAL CONVERTER RS232 <-> RS485/422 FOR DIN GUIDE

Serial interface converter for assembly onto the DIN guide from RS232 to RS485 which are necessary in order to allow the personal computer to communicate with any external device with an RS485/422 interface, up to a maximum of 32 users and maximum velocity of 1115.200 bps.

Ideal for programming all of the modules of the Z-PC Series. As they have galvanic isolation, they protect the computer from possible overvoltage or short-circuits which could arise from the devices connected by means of the RS485.

They can be used as converters with automatic change of direction (timed) otherwise piloted by the RTS (RS232) signal. Furthermore, they allow both HALF as well as FULL DUPLEX communication (simultaneous reception and transmission on RS485).

Velocity, type of communication and change of direction system can be set quite easily by means of the dip-switch located on one side of the converters



The LEDs located on the front panel allow for the functioning of the converter itself to be checked: the presence of power, reception and transmission of data, state of the RTS signal.

As opposed to the portable S107P model, in the Z107P the connection to the serial port of the PC is provided by means of the DB9 connector located on the front panel of the instrument together with an extremely common serial 9 pin connector cable. The connection on the RS485 side is provided by means of the extractable terminal box.

The connections for the RS485 interface and powering of the module are also present within the connector on the back of the instrument and allow for direct connection to the bus of the Z-PC series by means of the appropriate support that is to be installed in the DIN guide.

Technical Data

- Power supply : 19 - 40 Vcc / 19 - 28 Vca - 50/60 Hz, power consumption max. 2,5W
- Galvanic separation RS232 // RS485 and power supply // RS485 : 1500 Vac
- Interface 1 : serial RS232 on a DB9 connector on the front panel
- Interface 2 : serial RS485/422, extractable clamps with screw type connections
- Functioning method : 2 Half Duplex wires, 4 Full Duplex wires, point-point or multidrop
- Change of direction : automatic timing, command from RTS from the interface RS232
- Communication velocity : settable between 9600, 19200, 38400, 57600, 115200 bps
- Connection distance : up to 1200 m

Refer to instructions manual for further information